

PMM-35-PL



3.5" Factory Mount Mirror Monitor with Adjustable Parking Lines

User Manual





PMM-35-PL

3.5" Factory Mount Mirror Monitor
with Adjustable Parking Lines

Introduction

Thank you for purchasing your EchoMaster Pro automotive monitor.

Your monitor displays a clear, high resolution image of the area surrounding your vehicle, meaning your maneuvering and vehicle awareness will be greatly improved.

Please ensure you read and understand all aspects of this manual before fitting or using your EchoMaster monitor.

Box Contents

- ▶ User Guide
- ▶ Mirror Monitor
- ▶ Main Harness
- ▶ Cable Management
- ▶ Allen Key

Key Features

- ▶ Dual video inputs
- ▶ Reverse trigger input
- ▶ Adjustable parking lines
- ▶ Remote control included
- ▶ Auto-dimming display



PMM-35-PL

3.5" Factory Mount Mirror Monitor
with Adjustable Parking Lines

Fitting Instructions

The PMM-35-PL will replace your factory fitted rearview mirror.

Remove the original mirror from the vehicle and replace with the PMM-35-PL.

Once the unit is in place, run the connections cable across the headliner of the vehicle and down the A pillar.

Please ensure that you do not impede the operation of any airbags that may be located in the A pillar of the vehicle. Any cable passing these airbags should be run behind the airbag and not in front of it.

Once the cable has been routed down to the dashboard, connect the camera inputs and power connections as shown in the wiring diagram section of this manual.

Operating Instructions

The vehicle ignition is required to be on for the unit to operate.

The unit will only turn on when a video signal is present.

To turn it on or off hold the POWER button for 1 second. The screen will show the video signal connected to Video 1.

All other options are accessed via the supplied remote control.

To enter the menu press the MENU button on the remote.



PMM-35-PL
3.5" Factory Mount Mirror Monitor
with Adjustable Parking Lines

Operating Instructions (continued)

Scroll through the various options by pressing the SEL button. Adjust options using the – and + buttons (top right of remote).

Settings available are as follows.

Brightness	Adjusts the screen brightness.
Contrast	Adjusts the screen contrast.
Color	Adjusts the screen color.
Scale	Turns the parking guidelines on or off.
Language	Allows you to choose what language the on-screen menus are displayed in.
Preset	Resets all values to default.

The parking guidelines can also be adjusted when the reverse trigger is activated.

To enter the adjustment mode press and hold the top center button on the remote.

You will then notice the XL (left) and XR (right) menus appear at the top of the screen.

The bottom 3 rows of buttons on the remote adjust the right-hand guide and the next 3 up adjust the left.

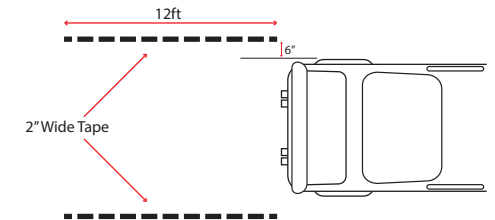
To set the lines accurately place some 2" wide tape at the rear of the vehicle parallel to each other. The tape should be about 12ft long and 6" outside the maximum width of the vehicle (please see image on next page).



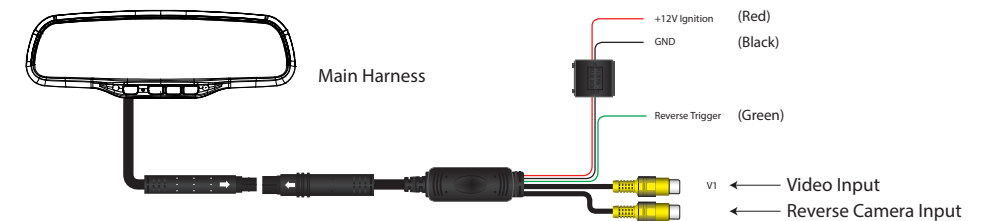
PMM-35-PL
3.5" Factory Mount Mirror Monitor
with Adjustable Parking Lines

It must be visible on the display when the vehicle is in reverse. You can then set the guidelines to match the tape.

Press and hold the top center button again to exit the guidelines setting function.



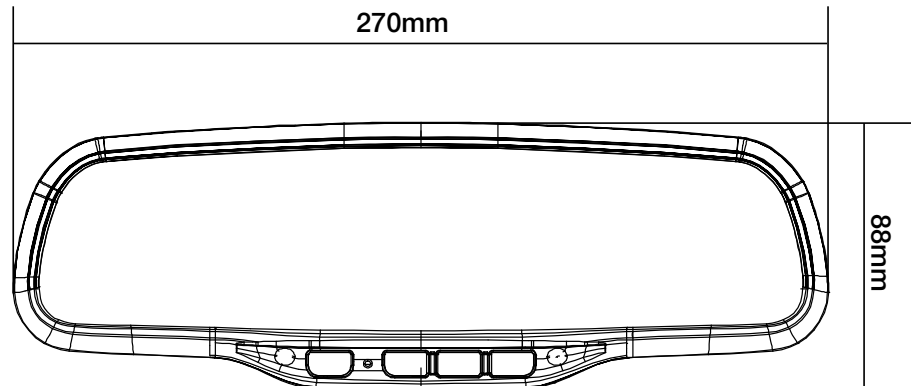
Wiring Diagram





PMM-35-PL
3.5" Factory Mount Mirror Monitor
with Adjustable Parking Lines

Dimensions



PMM-35-PL
3.5" Factory Mount Mirror Monitor
with Adjustable Parking Lines

Specifications

PMM-35-DPL	
Screen Size	3.5"
Aspect Ratio	4:3
Power Supply	12-24V DC
Resolution	480 x 272
Luminance	900-1100
Contrast	250:1
TV Format	AUTO
OSD Languages	Multi
Video Inputs	2
Audio Inputs	0
Triggers	1
Current Draw	75mA
Operating Temperature	-20C - +70C
IP Rating	30
Parking Guidelines	Adjustable
Dimensions (mm)	270 x 88
Connection Type	Power & RCA



15500 Lightwave Drive, Suite 202, Clearwater, Florida 33760
Woolmer Way, Bordon, Hampshire, United Kingdom

email - support@aampglobal.com (US)
tel - 1-800-477-2267 (East Coast) - 1-888-883-2790 (West Coast)

email - technical.eu@aampglobal.com (Europe)
tel - +44(0)1420 487110 (Sales) - +44(0)1420 470618 (Technical)



EchoMaster is a Power Brand of AAMP Global.
Echomaster.com