

PMM-4322-COM-PL



4.3" Factory Mount Commercial Mirror Monitor with Adjustable Parking Lines

User Manual





PMM-4322-COM-PL

4.3" Factory Mount Commercial
Mirror Monitor with Adjustable
Parking Lines

Introduction

Thank you for purchasing your EchoMaster Pro automotive monitor.

Your monitor displays a clear, high resolution image of the area surrounding your vehicle, meaning your maneuvering and vehicle awareness will be greatly improved.

Please ensure you read and understand all aspects of this manual before fitting or using your EchoMaster monitor.

Box Contents

- ▶ User Guide
- ▶ Mirror Monitor
- ▶ Main Harness
- ▶ Monitor-RCA Adapters x 2
- ▶ Insulation Tape
- ▶ Universal Mounting Button

Key Features

- ▶ Heavy duty construction for commercial use
- ▶ Dual video inputs
- ▶ Dual triggers
- ▶ Universal mounting



PMM-4322-COM-PL

4.3" Factory Mount Commercial
Mirror Monitor with Adjustable
Parking Lines

Fitting Instructions

The PMM-4322-COM-PL will replace your factory fitted rearview mirror. Remove the original mirror from the vehicle and replace with the PMM-4322-COM-PL.

If your factory mounting bracket differs from the PMM-4322-COM-PL then there is a supplied metal button that can be bonded to the windshield to allow the new mirror to fit.

Once the unit is in place, run the connections cable across the headliner of the vehicle and down the A pillar.

Please ensure that you do not impede the operation of any airbags that may be located in the A pillar of the vehicle. Any cable passing these airbags should be run behind the airbag and not in front of it.

Once the cable has been routed down to the dashboard, connect the camera inputs and power connections as shown in the wiring diagram section of this manual.

Operating Instructions

The vehicle ignition is required to be on for the unit to operate.

The unit will only turn on when a video signal is present.

To turn it on, press the CAM SELECT / POWER button.

The CAM select button will switch between the 2 inputs if both are connected.



PMM-4322-COM-PL
4.3" Factory Mount Commercial
Mirror Monitor with Adjustable
Parking Lines

Operating Instructions (continued)

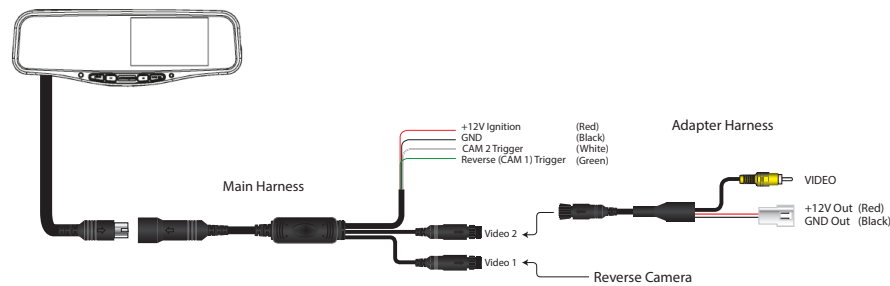
When a video signal is shown you can access the menu functions by pressing the MENU button.

Adjustable parameters are as follows.

- Contrast:** Adjust the contrast of the screen.
- Brightness:** Adjust the brightness of the screen.
- Color:** Adjust the color of the screen.
- Volume:** Not operational on this product.
- MIR1:** Not active.
- MIR2:** Not active.
- Park:** Turn the parking guides on or off (only active when reverse trigger is active).
- Delay:** Sets a small delay before the unit reverts to the previous state after a trigger is removed.

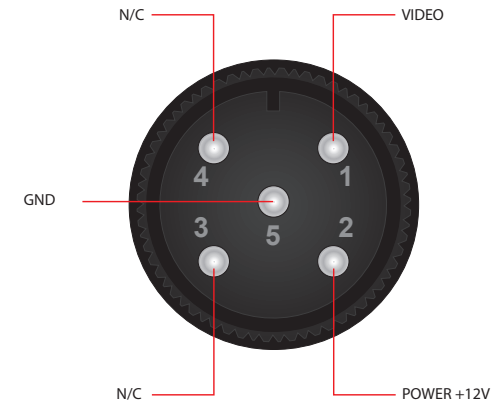
The parking lines are also adjustable when the reverse trigger is active. Use the – and + buttons to adjust the horizontal positioning of the guides.

Wiring Diagram

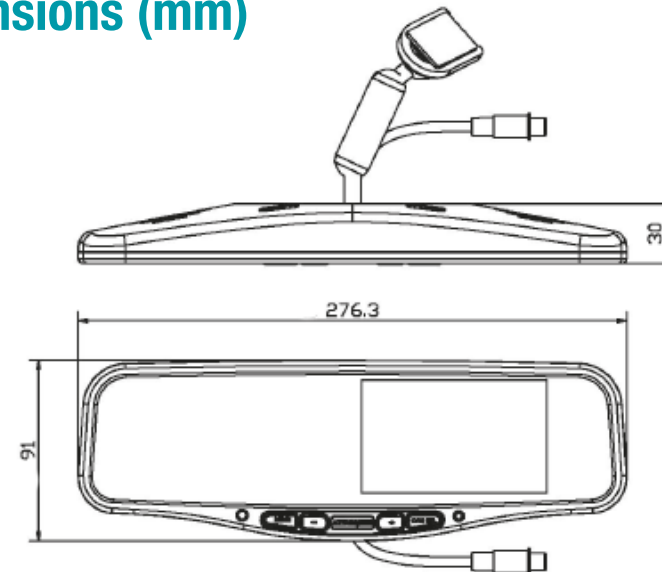


PMM-4322-COM-PL
4.3" Factory Mount Commercial
Mirror Monitor with Adjustable
Parking Lines

Pin Out



Dimensions (mm)





PMM-4322-COM-PL
 4.3" Factory Mount Commercial
 Mirror Monitor with Adjustable
 Parking Lines

Specifications

PMM-4322-COM-PL	
Screen Size	4.3"
Aspect Ratio	16:9
Power Supply	9-18V DC
Resolution	480 x 272
Luminance	1000-1400
Contrast	400:1
TV Format	AUTO
OSD Languages	Multi
Video Inputs	2
Audio Inputs	0
Triggers	2
Current Draw	75mA
Operating Temperature	-20C - +70C
IP Rating	N/A
Parking Guidelines	Adjustable
Dimensions (mm)	276 x 91 x 30



PMM-4322-COM-PL
 4.3" Factory Mount Commercial
 Mirror Monitor with Adjustable
 Parking Lines



15500 Lightwave Drive, Suite 202, Clearwater, Florida 33760
Woolmer Way, Bordon, Hampshire, United Kingdom

email - support@aampglobal.com (US)
tel - 1-800-477-2267 (East Coast) - 1-888-883-2790 (West Coast)

email - technical.eu@aampglobal.com (Europe)
tel - +44(0)1420 487110 (Sales) - +44(0)1420 470618 (Technical)



EchoMaster is a Power Brand of AAMP Global.
EchoMaster.com