

PMON-50-FM



# 5" Flush Mount Dual Input Monitor User Manual





**PMON-50-FM**  
5" Flush Mount Dual Input Monitor

## Introduction

**Thank you for purchasing your EchoMaster Pro automotive monitor.**

Your monitor displays a clear, high resolution image of the area surrounding your vehicle, meaning your maneuvering and vehicle awareness will be greatly improved.

Please ensure you read and understand all aspects of this manual before fitting or using your EchoMaster monitor.

## Box Contents

- ▶ User Guide
- ▶ Monitor
- ▶ Mounting Bracket
- ▶ Bracket Mounting screws
- ▶ Sunshade
- ▶ Main Harness
- ▶ GX16 - RCA Adapters x 2
- ▶ Harness Tape
- ▶ Mounting Plate
- ▶ Mounting Plate Screws
- ▶ Nuts and Bolts
- ▶ Harness Extension

## Key Features

- ▶ 5" high resolution display
- ▶ Dual Video input
- ▶ Dual triggers for channel switching
- ▶ Auto shut off if no signal
- ▶ Sunshade included



**PMON-50-FM**  
5" Flush Mount Dual Input Monitor

## Fitting Instructions

Choose a mounting location that will not obscure the driver's view.

Also please ensure that the unit is not mounted in a location that will obstruct the operation of any airbags.

Ensure that the mounting area is clean and free from silicone based cleaners. Mount the bracket using the self-adhesive pad and leave to cure for 1 minute before mounting the screen. You can also secure the bracket further with the supplied screws.

Alternatively, you can mount the screen using the supplied mounting box and secure using the supplied screws or nuts and bolts.

Once the unit is in place, run the connections cable to behind the dash where the connections are to be made as shown in the wiring diagram.

## Operating Instructions

To turn on the unit the vehicle ignition should be active.

The monitor will only turn on when there is a video signal present. Press the POWER button to turn the screen on.

To switch between the 2 video inputs use the CAM Select button.

Pressing the MENU button will allow you to adjust the various menu settings available.

When a 12V input is detected on the green wire, the unit will automatically switch to Video1. If the unit is currently turned off when this trigger is detected it will automatically turn on and switch to Video 1.



**PMON-50-FM**  
5" Flush Mount Dual Input Monitor

## Operating Instructions (continued)

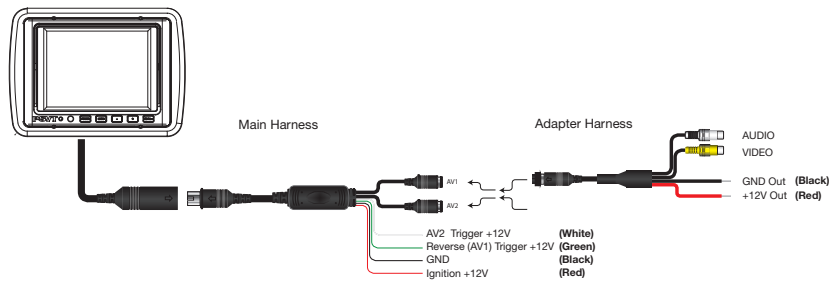
The white wire will perform the same function, but for Video 2.

### Menu

The Menu functions can be adjusted using the + and – buttons on the monitor.

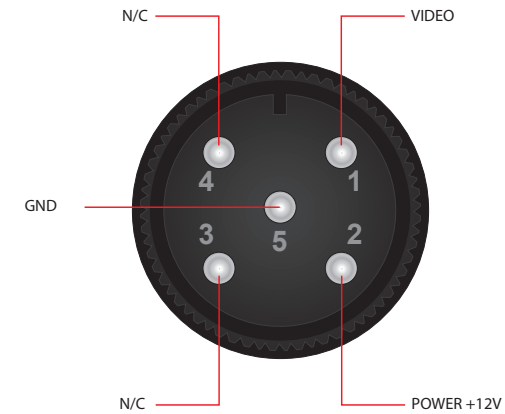
- Brightness:** Adjust the brightness level of the screen between 0 and 60.
- Contrast:** Adjust the contrast of the screen between 0 and 60.
- Color:** Adjust the color of the screen between 0 and 60.
- Volume:** Adjust the volume level of the built-in speaker between 0 and 10.
- Hue:** Adjust the hue of the screen between 0 and 128.
- Sharp:** Adjust the sharpness level of the image between 0 and 128.
- Camera 1:** This allows you to reverse the image on Video 1.
- Camera 2:** This allows you to reverse the image on Video 2.
- Version:** This will show you the version of software that is currently installed in the PMON-50-FM.
- EXIT:** This will exit the menu.

## Wiring Diagram

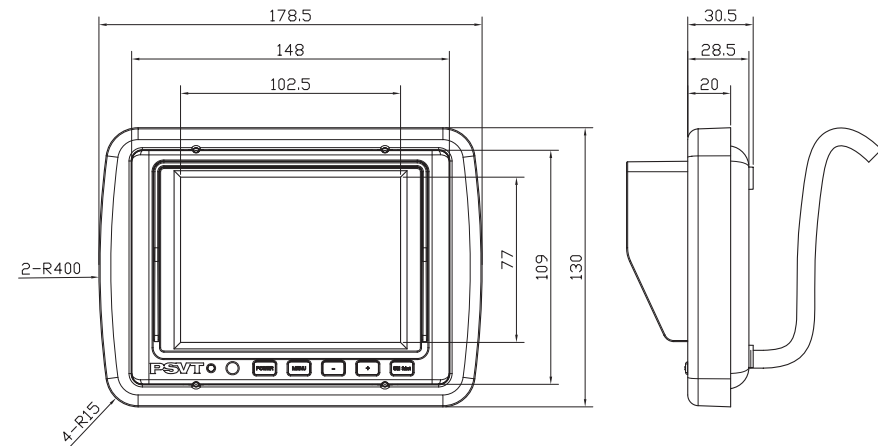


**PMON-50-FM**  
5" Flush Mount Dual Input Monitor

## Pin Out



## Dimensions (mm)





**PMON-50-FM**  
5" Flush Mount Dual Input Monitor

## Specifications

PMON-50-FM	
Screen Size	5.0"
Aspect Ratio	4:3
Power Supply	12-24V DC
Resolution	640x480
Luminance	350
Contrast	500:1
TV Format	AUTO
OSD Languages	Multi
Video Inputs	2
Audio Inputs	2
Triggers	2
Current Draw	520mA
Operating Temperature	-20C - +70C
IP Rating	30
Parking Guidelines	NO
Dimensions (mm)	178.5 x 130 x 30.5



**PMON-50-FM**  
5" Flush Mount Dual Input Monitor



15500 Lightwave Drive, Suite 202, Clearwater, Florida 33760  
Woolmer Way, Bordon, Hampshire, United Kingdom

email - [support@aampglobal.com](mailto:support@aampglobal.com) (US)  
tel - 1-800-477-2267 (East Coast) - 1-888-883-2760 (West Coast)

email - [technical.eu@aampglobal.com](mailto:technical.eu@aampglobal.com) (Europe)  
tel - +44(0)1420 487110 (Sales) - +44(0)1420 470618 (Technical)



EchoMaster is a Power Brand of AAMP Global.  
**[EchoMaster.com](http://EchoMaster.com)**