



PMK-V363

---

**INSTALLATION MANUAL**  
**For Cargo Vans**

# Thank you for purchasing the EchoMaster Ford Transit HD Camera Package



## Table of Contents

- Page 4** -HD Mirror Monitor / Harness  
**Page 8** - FTV-CAM-EXT-HAR  
**Page 10** - HD Camera

## WHAT'S INCLUDED:

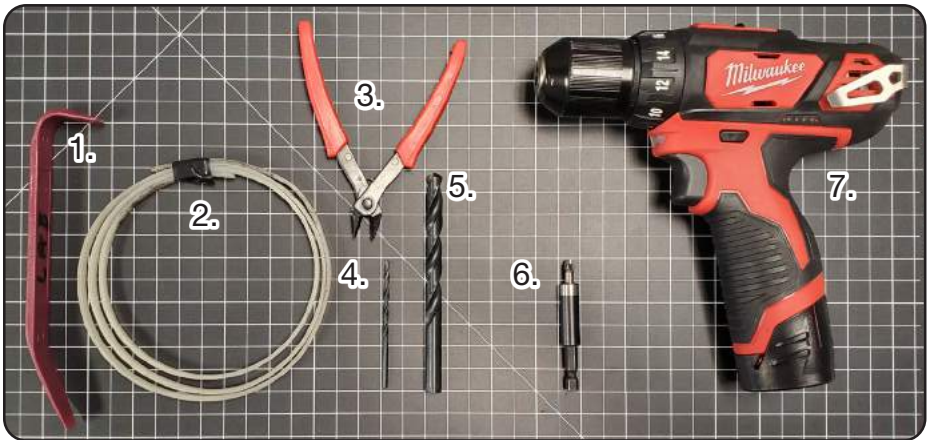
---

- PMM-V363 HD Mirror Monitor
- CAM-V363 HD Camera with Vehicle Specific Housing
- PMK-FTV-HAR Vehicle Specific Mirror Monitor Harness
- FTV-CAM-EXT-HAR Camera Extension Harness
- Hardware Pack



## TOOLS NEEDED:

---



1. Plastic Trim Tool
2. Wire Fishing Tool
3. Diagonal Cutters
4. 7/64" Drill Bit or Unibit
5. 3/8" Drill Bit or Unibit
6. Phillips Bit with Bit Holder
7. Drill

PMK-V363

# INSTALLATION GUIDE

## FULL VIEW MIRROR / HARNESS FITTING INSTRUCTIONS

### STEP 1:

Remove the dome light housing using a plastic trim tool to push forward and release the two clips on the rear side of the front dome light panel and pop down and pull towards the rear of the vehicle. Reference the pictures below for the locations of the clips.

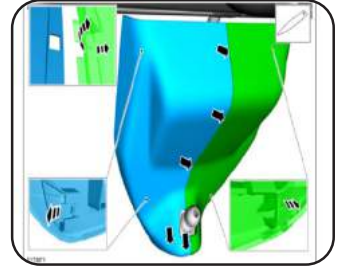


If the vehicle is equipped with the overhead tray, the dome light housing will be slightly different. It may be removed in a similar fashion.



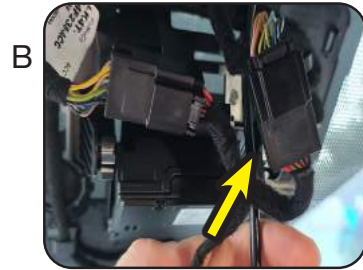
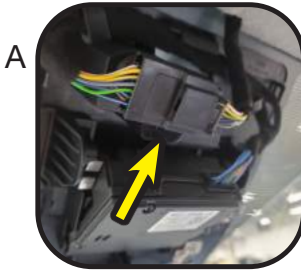
## STEP 2:

Using a plastic trim tool, remove the shroud from behind where the rear view mirror would be to gain access to the wiring. Remove the center cap from the mirror shroud.



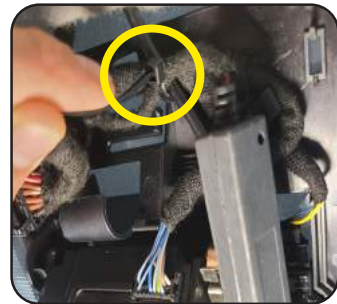
## STEP 3:

After removing the mirror shroud, locate the 12 pin in-line connector (A). Connect the 12 pin T-Harness in-line at this location and route the mirror side of the harness down and towards the mirror location (B).



## STEP 4:

Route the Mini-Din connector end of the harness from behind the mirror shroud to the dome light opening exposed in step 1. Fasten the remainder of the harness behind the mirror shroud to the factory wiring using the supplied wire ties.



## STEP 5:

Install the HD Full-View mirror by starting with the top of the mirror mount at the 10 o'clock position and place it on the twist lock mount. Twist the base of the mirror until the top of the mirror is at the 12 o'clock position. You should feel the alignment tab click into place.



## STEP 6:

Route the end of the cable with the white mirror connector down to the back of the mirror along the right hand side of the mirror shroud area. This is where the inline filter (Outlined in yellow) will be secured.



## STEP 7:

Install the mirror connector cover (A), then plug the connector into the back of the mirror (B).

A



B



## STEP 8:

Reinstall the shroud behind the mirror. At this time, ensure that the flip dimmer located on the bottom of the mirror is flipped forward towards the passenger compartment (rear of the vehicle).



## FTV-CAM-EXT-HAR FITTING INSTRUCTIONS

### Harness Routing Overview



## STEP 1:

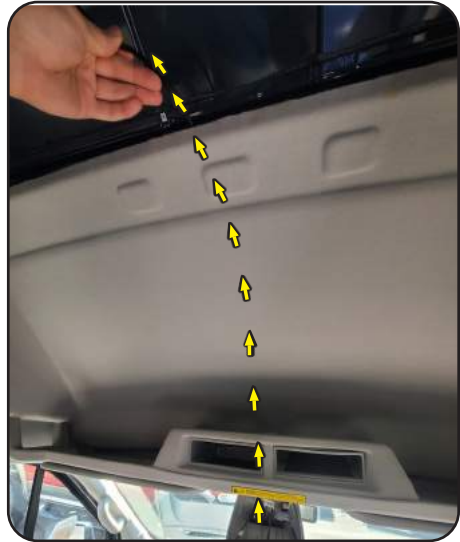
Starting at the front of the vehicle, use a wire fishing tool to route the monitor connector end of the extension harness from the rear of the headliner into the dome light opening. Connect the corresponding side of the extension cable to the mirror power harness installed previously that is still hanging in the dome light opening.





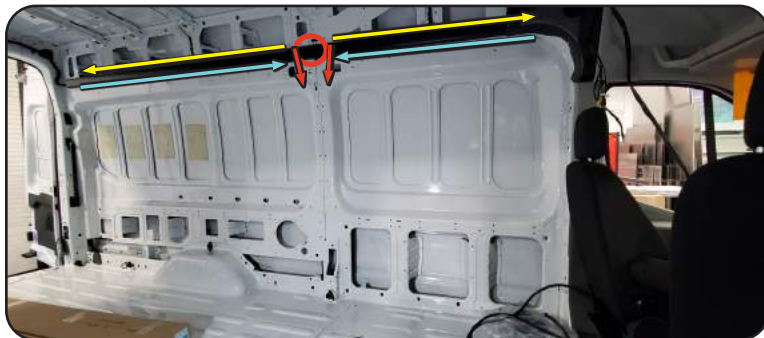
## STEP 2:

With the extension harness now connected, pull the excess cable back over the bulkhead area to begin routing it to the rear. The EPP Foam (black foam behind the cargo van headliner) will be removed by removing the push pins using a push pin removal tool. The cable will then be secured to factory wiring behind the foam.



## STEP 3:

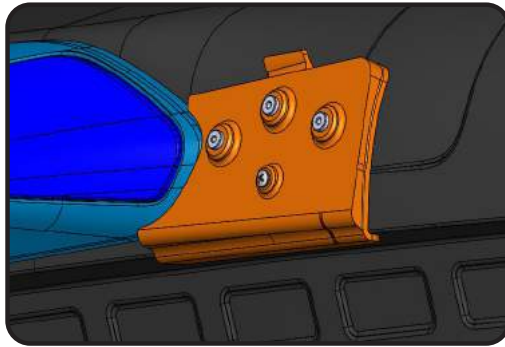
Remove the rear corner cable cover and then remove the 2 long pieces covering the rest of the factory wire track. This can be done by sliding the rear section towards the back of the vehicle (Yellow arrow), then pull out on the end that meets the front portion of wire cover (Red circle and arrow) while sliding the piece back towards the front (Blue arrow). The wire track cover should slide out. Repeat this process in opposite direction for the front section of the wire track cover. Secure the extension cable to the factory wiring underneath with zip ties. When you reach the rear of the vehicle, route the wire to behind the CHMSL (3rd Brake Light) using the vehicle wiring as a guide.



## HD CAMERA FITTING INSTRUCTIONS

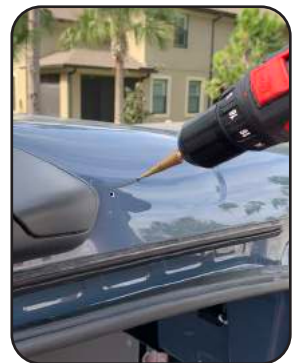
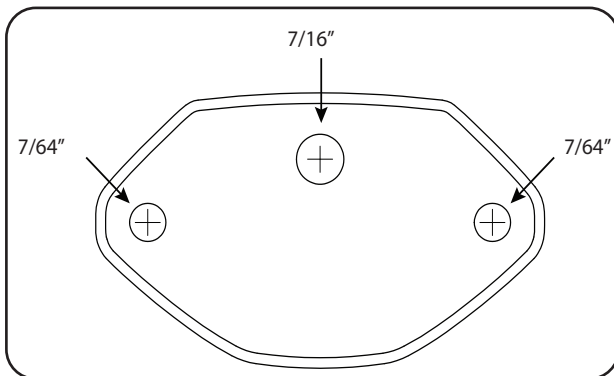
### STEP 1:

Using the supplied template, line it up with the right edge of the CHMSL. The bottom lip of the template should wrap around the top of the rear door frame. You may need to pull down the rubber door seal to allow the template to seat properly into place. Place the template as shown below.



### STEP 2:

Using a standard  $7/64$ " drill bit and the template as a guide, drill the three holes needed using the drill guides in the template to mount the camera. Using a step bit, drill the top hole out to  $7/16$ " using the diagram below for sizing reference.



## STEP 3:

Route the camera cable into the vehicle and secure the camera to the vehicle with the supplied screws. Be sure to place the screw caps over the screws when finished.



## STEP 4:

Connect the camera to the camera extension harness and secure any excess wire within the vehicle body.





**Phone – 866-931-8021**

E-Mail – [support@aampglobal.com](mailto:support@aampglobal.com)



EchoMaster is a Power Brand of AAMP Global

**[EchoMaster.com](http://EchoMaster.com)**

REV. DC0722